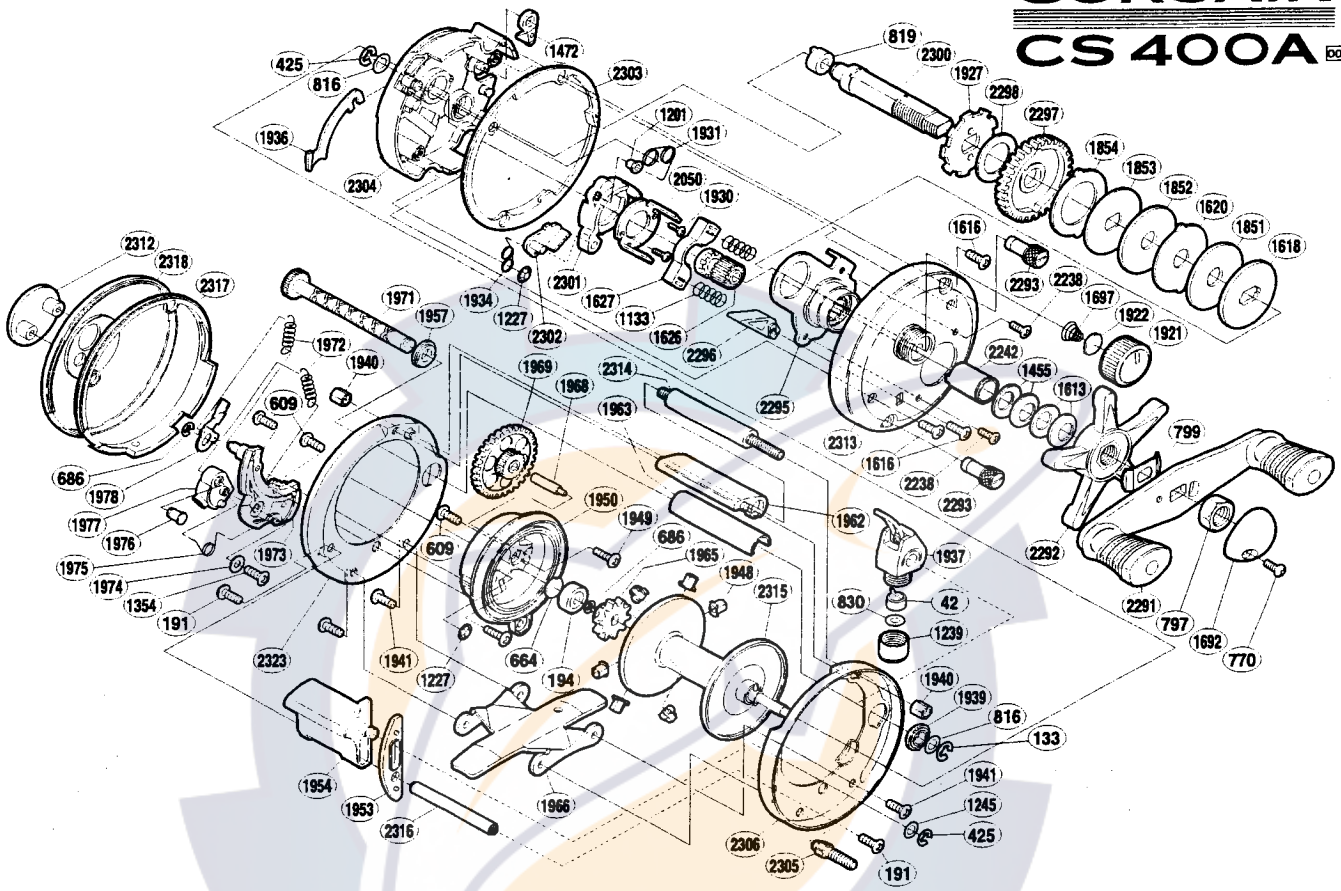


**CORSAIR™**  
**CS 400A**



Part No.	Description
BNT0042	Line Guide Pawl
BNT0133	iEi Lock
BNT0191	Clutch Bar Support Screw
BNT0194	Ball Bearing
BNT0425	iEi Lock
BNT0609	Multi-Purpose Screw
BNT0664	Spacer B
BNT0686	iEi Lock
BNT0770	Handle Nut Plate Screw
BNT0797	Handle Nut
BNT0799	Friction Washer
BNT0816	Shaft Washer
BNT0819	Drive Shaft Bushing
BNT0830	Spacer (optional)
BNT1133	Yoke Spring
BNT1201	Retractor Spring Collar
BNT1227	Push Nut (SPN-2)
BNT1239	Pawl Cap
BNT1245	Clutch Bar Support Spacer
BNT1354	Click Switch Screw
BNT1455	Drag Spring Washer (H)
BNT1472	Anti-Reverse Pawl
BNT1613	Drag Spring Washer (L)
BNT1616	Right Side Plate Screw
BNT1618	Key Washer (C)
BNT1620	Eared Washer
BNT1626	Pinion Gear
BNT1627	Yoke
BNT1692	Handle Nut Plate
BNT1697	Spool Tension Spring

Part No.	Description
BNT1851	Drag Washer (C)
BNT1852	Drag Washer (B-2)
BNT1853	Key Washer (A)
BNT1854	Eared Washer (B-1)
BNT1921	Cast Control Cap
BNT1922	Cast Control Spacer
BNT1927	Anti-Reverse Ratchet
BNT1930	Clutch Cam Screw
BNT1931	Retractor Spring
BNT1934	Clutch Pawl Spring
BNT1936	Clutch Plate
BNT1937	Line Guide Assembly
BNT1939	Worm Bushing (A)
BNT1940	Frame Nut
BNT1941	Stand Screw
BNT1948	Brake Collar
BNT1949	Left Side Plate Screw
BNT1950	Brake Case
BNT1953	Clutch Bar Guide
BNT1954	Quick-Fire II Clutch Bar
BNT1957	Worm Bushing (B)
BNT1962	Thumb Rest
BNT1963	Level Wind Guard
BNT1965	Idle Gear (A)
BNT1966	Stand
BNT1968	Idle Gear (B) Shaft
BNT1969	Idle Gear (B)
BNT1971	Worm Shaft
BNT1972	Click Spring
BNT1973	Click Plate

Part No.	Description
BNT1974	Click Switch Washer
BNT1975	Click Switch Spring
BNT1976	Click Shaft
BNT1977	Click Switch
BNT1978	Click Pawl
BNT2050	Clutch Cam Retainer
BNT2238	Bush Plate Screw
BNT2242	Roller Clutch Inner Tube
BNT2291	Handle Assembly
BNT2292	Star Drag
BNT2293	Right Side Plate Nut
BNT2295	Roller Clutch Assembly
BNT2296	Return Pin Guide
BNT2297	Drive Gear
BNT2298	Drive Shaft Washer (B)
BNT2300	Drive Shaft
BNT2301	Clutch Cam
BNT2302	Clutch Pawl
BNT2303	A-Side Seal
BNT2304	Set Plate
BNT2305	Stand Bolt
BNT2306	Right Side Frame
BNT2312	Left Side I.D. Plate
BNT2313	Right Side Plate
BNT2314	Frame Bar
BNT2315	Spool Assembly
BNT2316	Clutch Bar Support
BNT2317	B-Side Seal
BNT2318	Left Side Plate
BNT2323	Left Side Frame